

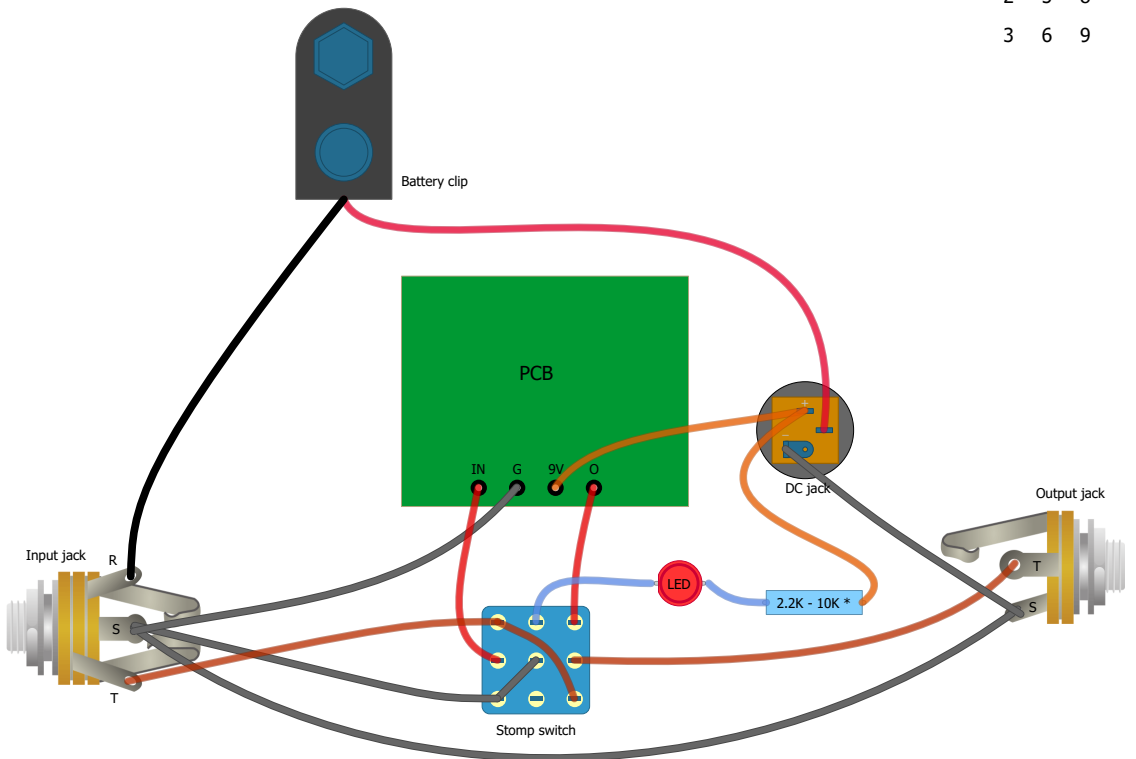
OFF BOARD WIRING DIAGRAM

www.parasitstudio.se

Fig 1.
Off board wired LED and battery clip

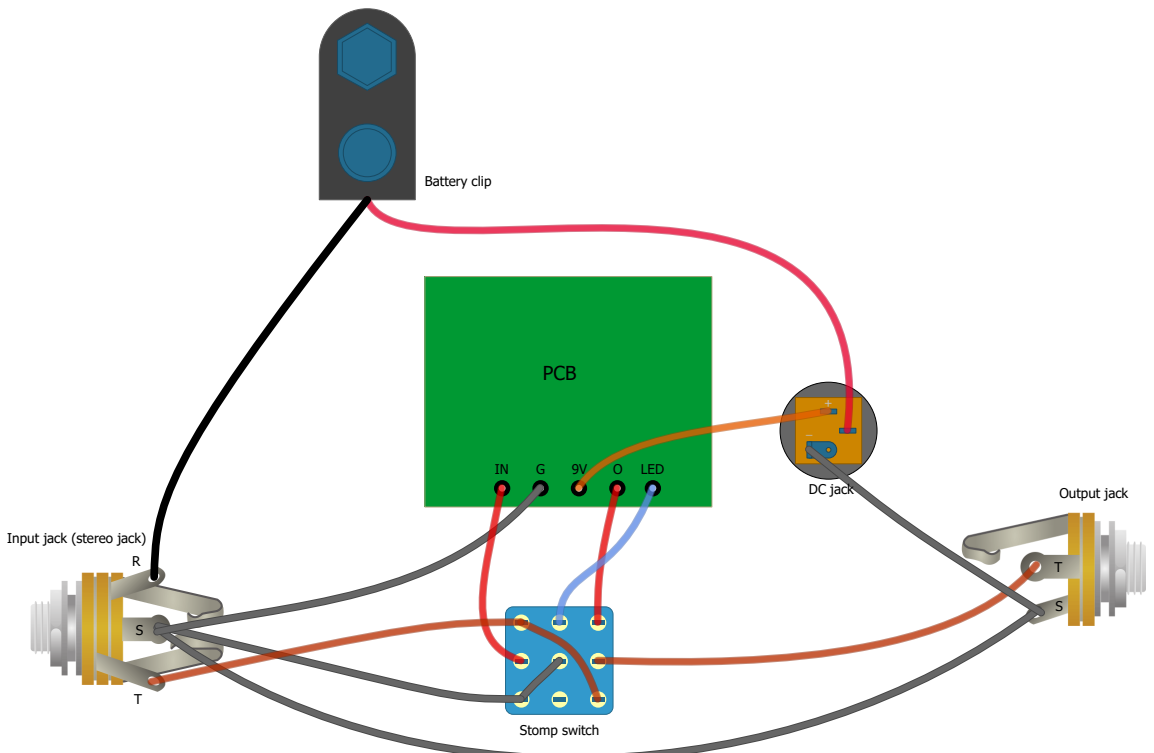
3PDT pin count

1	4	7
2	5	8
3	6	9



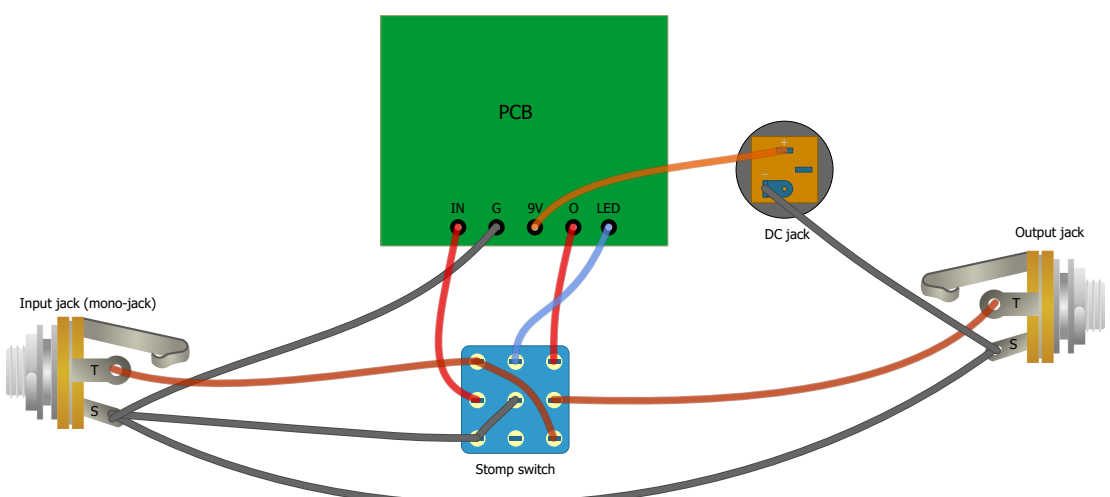
NOTE: The input wire goes to pin 1, and there's a short wire between pin 1 and pin 9. Pin 3 and 5 (GND) are linked aswell

Fig 2.
Board mounted LED and battery clip



NOTE: The input wire goes to pin 1, and there's a short wire between pin 1 and pin 9. Pin 3 and 5 (GND) are linked aswell

Fig 3.
No battery clip



NOTE: The input wire goes to pin 1, and there's a short wire between pin 1 and pin 9. Pin 3 and 5 (GND) are linked aswell

There are several ways to wire the true bypass switch. This is just my preferred way.
* Current Limiting resistor value for your LED will depend on the strenght of the LED. 4.7K is often a suitable value.