

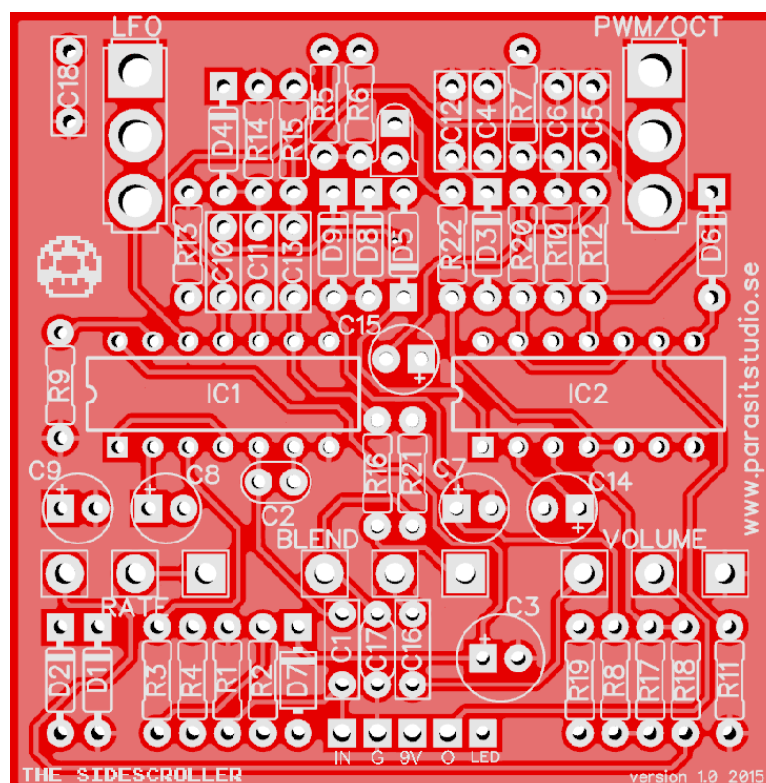
THE SIDESCROLLER

Build Document last updated may 2016
for PCB version 1.0

The Sidescroller is an insane 8-bit sounding fuzz. It does octave down, octave up and pulse width modulation.

The pulse width modulation signal blended with the octave down gives it a retro game'ish sound that brings backs memories of the 8-bit era of videogaming. Sound-wise it's pretty close to The Arcadiator. I guess you can call it the "Arcadiator Light" since it has less control and fits in a 1590B. It does however have a unique feature: an LFO that modulates the pulse width, giving it that C64 phaser'ish sound.

This circuit works best with high output pickups. It's a gated circuit by nature of the CMOS logic. If you are using single coils and need more sustain, try a boost or compressor in front. To improve tracking of the octave down, use your neck pickup with the tone rolled off. Happy playing!



Controls

SWITCHES

- LFO: This turns the LFO/alternating octaves on/off
- PWM/OCT: This toggles between Pulse modulated signal or Octave up

POTENTIOMETERS

- RATE: Controls the rate of the LFO / pulse width modulation
- BLEND: Blends between PWM/Octave up and Octave down
- VOLUME: Controls the overall volume

General builds tips

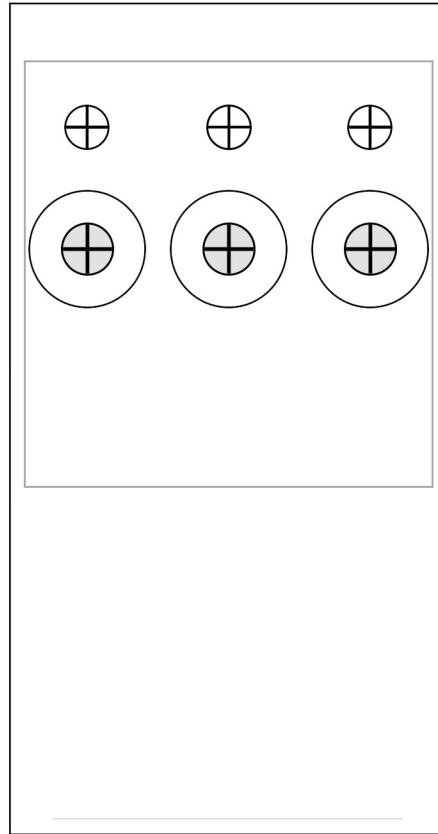
- Solder the low profile components first, from short to tall height. Recommended order: resistors, diodes, IC socket, film-caps, electrolytics, pots and switches
- CMOS chips are very sensitive to static charges and can be easily damaged. It's a good idea to wear an anti-static wristband or at least avoid wearing a wool jumper and petting your cat/dog while building...
- Always use sockets for IC chips and transistors to avoid heating them directly. It also makes it much easier to swap them out if needed.
- Pay special attention to the orientation of the diodes and electrolytics.
- There are many switches and pots on this PCB. Be sure to place them in the PCB without soldering first, THEN place them in your drilled enclosure. Gently tighten the nuts to the enclosure, then solder LAST. Otherwise, it will be really hard to get this in your enclosure.
- This PCB's is designed for 16mm Alpha PCB mounted angled pots. You could also use solder lug type and just tack some "legs" with short pieces of wire to each pot to mimic a PCB mount type. Again, it is a very good idea to drill holes in your enclosure first, and mount the pots with the nuts BEFORE soldering the pots to the PCB. This ensures you won't put a lot of stress on the PCB.
- The pots, switches and LED are meant to be mounted on the bottom (solder side) of the board, and soldered on the top (component side).
- The square pad represents pin 1 of each pot.

Wiring

For more info on how to wire up the stomp switch, jacks ect, please visit the Parasit Studio website and download the PDF called "offboard wiring". You can find it here:

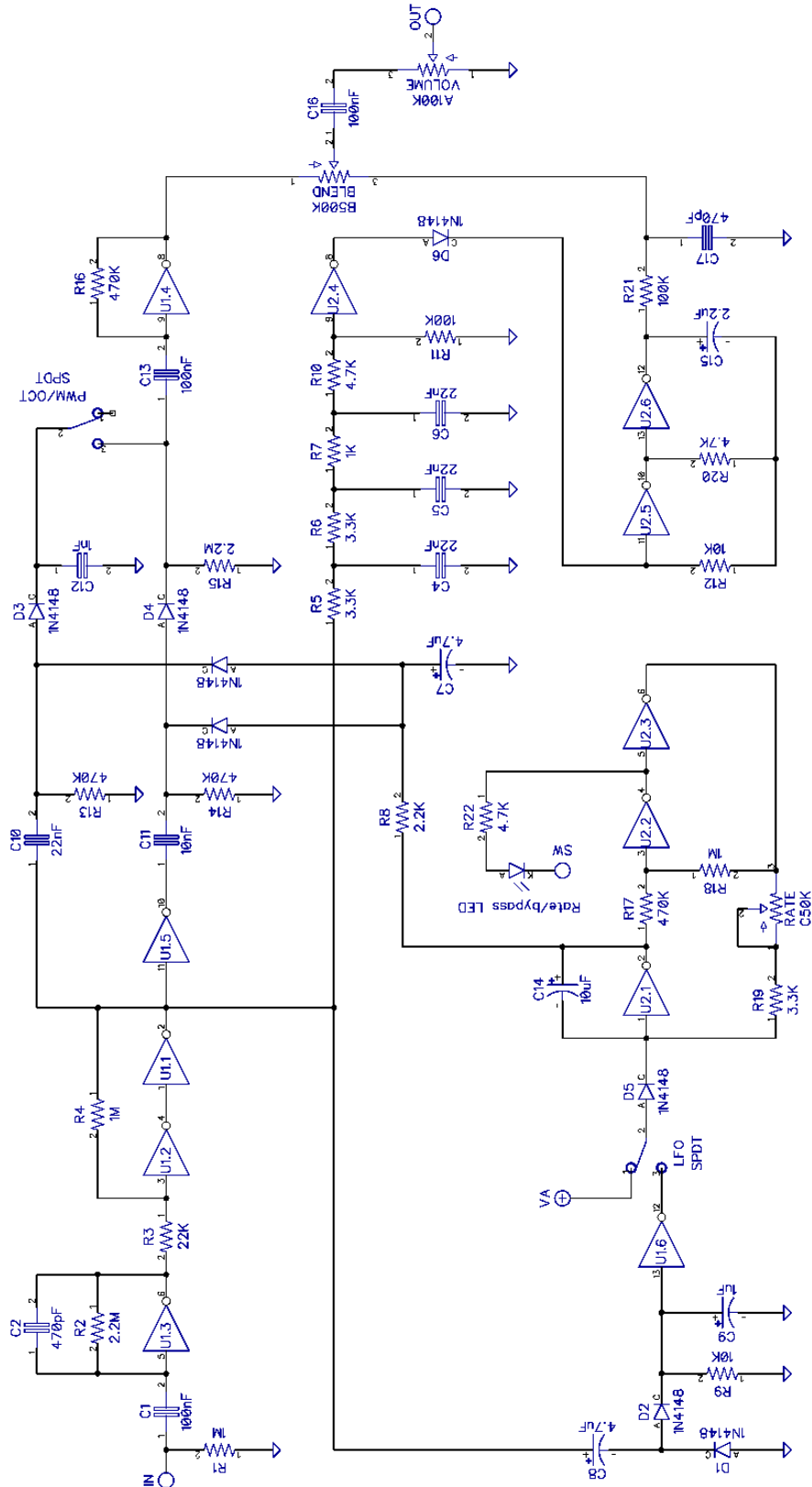
<http://www.parasitstudio.se/build-docs.html>

Drilling template (1590B)



- Use at your own risk! This template is approximate.
- Make sure your printer isn't doing any scaling / is set to 100% print size.
- Drill footswitch, DC jack and input/output jacks to your own preference.
- Some PCB mount pots have longer shafts than others, it will change the hole positions slightly =
- **Measure and confirm before drilling!**
- Read the build tips section highlighted in red before soldering pots and switches to the PCB.

Schematic



note that power connections, polarity protection and DC-filtering is not shown

Troubleshooting

There's always a chance of running into trouble. To minimize error, follow the BOM and general building tips carefully. Take your time and don't rush. Take a break now and then. Use good solder, and it helps to have a decent soldering station instead of a cheap iron.

If you are still having trouble, please visit the madbean forum Parasit Studio subforum section and ask for help there.

<http://www.madbeanpedals.com/forum/index.php?board=84.0>

If you have bought the Musikding kit and have received a faulty or missing component, please contact musikding directly.

<https://www.musikding.de/kontakt.php?lang=eng>

Terms of use

PCB's from Parasit Studio are intended for DIY use only. Commercial resale is not allowed. It's meant for personal use, which means that it's not allowed to build a lot of pedals and sell them for profit to strangers using public forums and craigslist ads. However, it's totally ok to build a few pedals and sell to your friends and bandmates. After all, that's what this hobby is about. DIY or DIE!

www.parasitstudio.se
parasitstudio@gmail.com