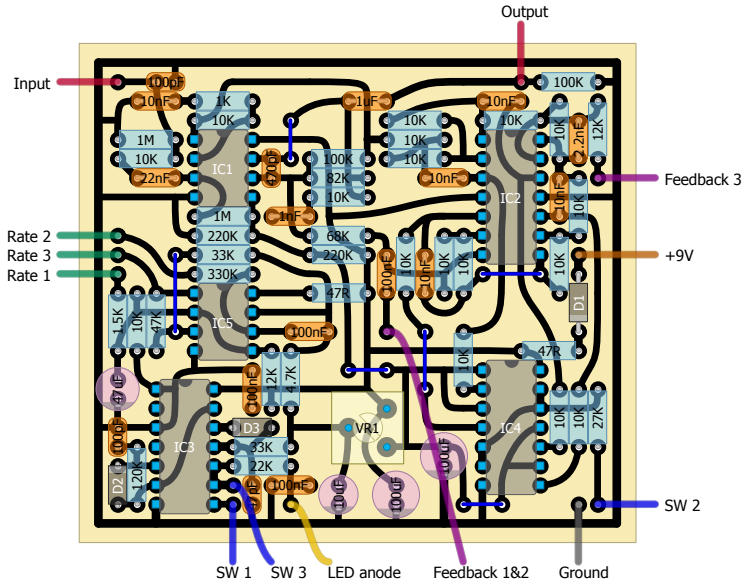
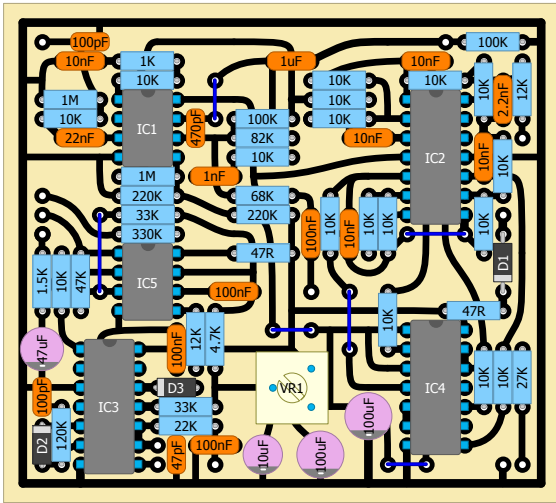


Parasite Phaser

by F. Lyxzén - www.parasitstudio.se

Not for commercial use!



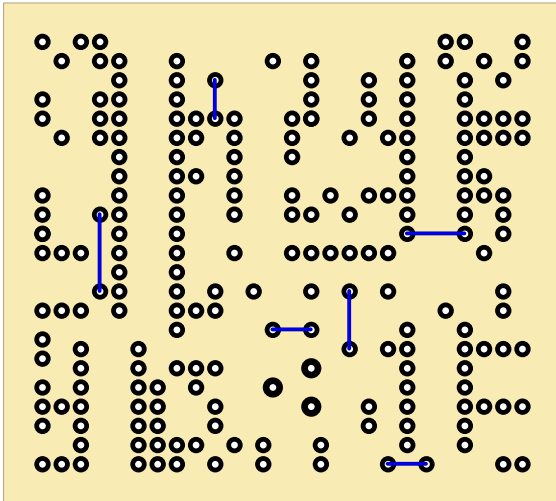
Rate: B100K
Feedback: C50K
SW: SPDT on/on

IC1: TL072
IC2: TL074
IC3: CD40106

IC4: CD4066
IC5: TL062 or TL022
LED cathode to ground

VR1 (Bias): 20K trimpot
D1: 1N5817
D2 & D3: 1N4148

Set the Bias trimmer for maximum effect before it start to thump or tick
Try both switch positions and different rates when setting the bias to ensure a quiet operation



6 jumpers

