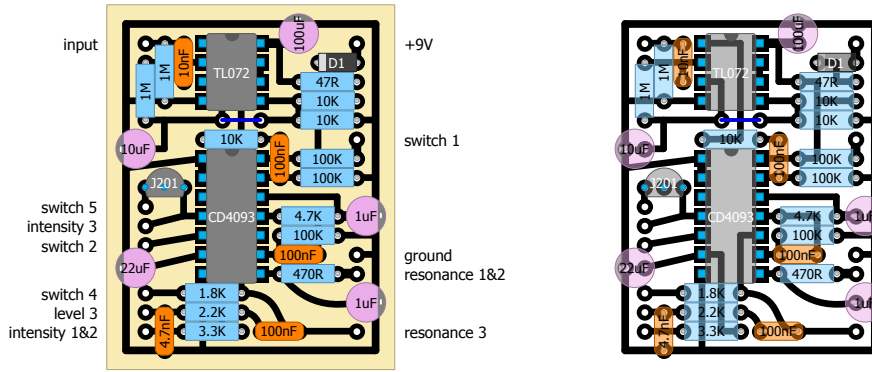


The Flawed Logic Fuzz

by F. Lyxzén - www.parasitstudio.se
Not for commercial use



resonance: B2K
intensity: C50K
level: A50K
modulation switch: DPDT on/on
D1: 1N4001

switch 3 to ground
level 1 to ground
level 2 to output

