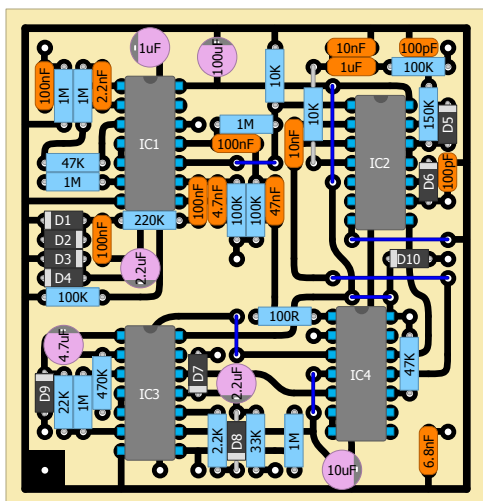


# FLASH FILTER FUZZ DELUXE

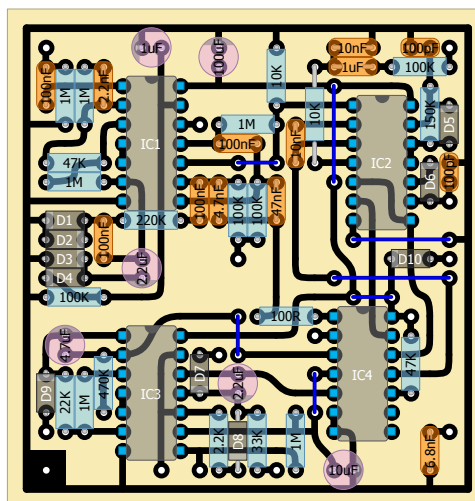
by F. Lyxzén  
www.parasitstudio.se

Not for commercial use - DIY only!



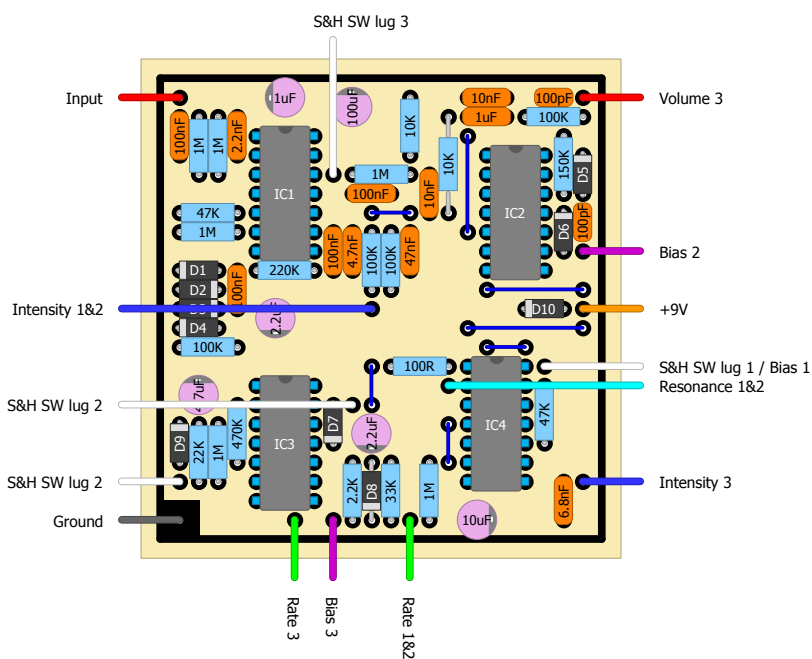
IC1: CD4069  
IC2: CD40106  
IC3: CD4069  
IC4: CD4066

D1: 1N34A  
D2-D9: 1N4148  
D10: 1N4001



Resonance: B5K  
Intensity: B50K  
Volume: A100K  
Rate: B50K  
Bias: A200K  
S&H switch: SPDT (on/off/on)

Resonance 3 and volume 1 to Ground  
Volume 2 to output



7 jumpers

