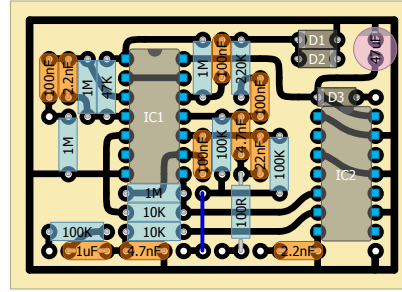
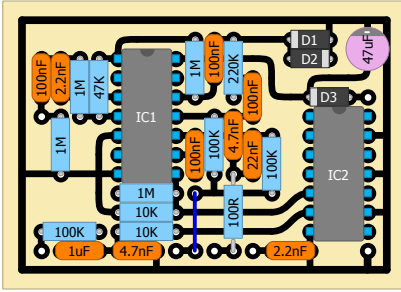


# FLASH FILTER FUZZ

by F. Lyxzén  
www.parasitstudio.se

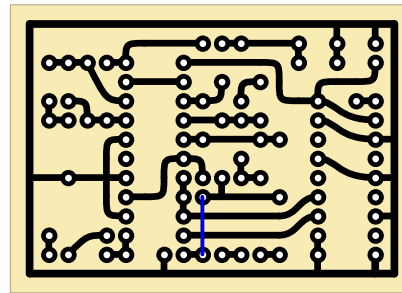
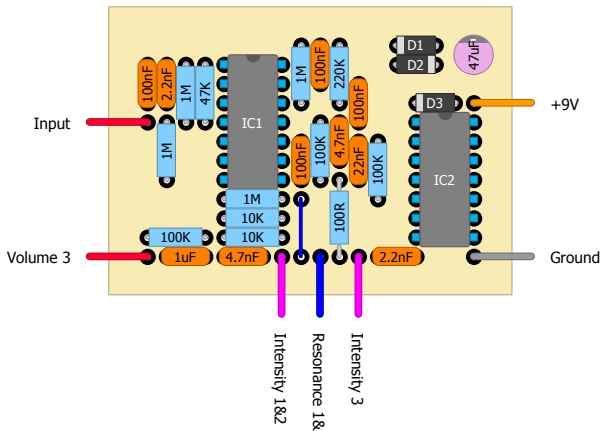
Not for commercial use - DIY only!



IC1: CD4069  
IC2: CD40106  
D1: 1N34A  
D2: 1N4148  
D3: 1N4001

Resonance: B5K  
Intensity: B50K  
Volume: A100K

Resonance 3 and Volume 1 to ground  
Volume 2 to output



1 jumper

