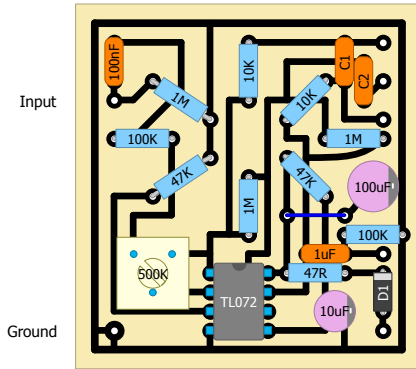
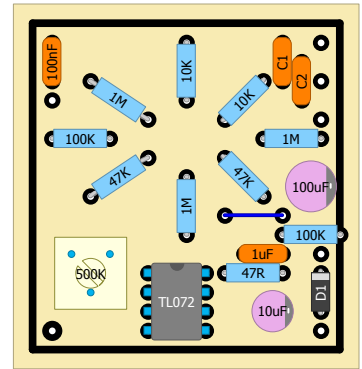
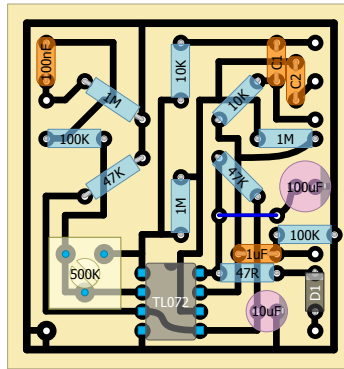


# Active Tilt EQ

by F. Lyxzén  
www.parasitstudio.se



Tone 1  
Tone 2  
Tone 3  
Output  
+9V



Tone: B100K  
D1: 1N4001

If you want the gain control outside instead of the trimmer:  
Take level 1 from TL072 pin 1 (the top right hole for the trimmer)  
Take level 2&3 from TL072 pin 2 (the bottom hole for the trimmer)  
Level: B500K

center frequency	C1	C2
64hz	100nF	10nF
125hz*	47nF	4.7nF
250hz	22nF	2.2nF
500hz	12nF	1.2nF
1Khz	5.6nF	560pF
2Khz	2.7nF	270pF
4Khz	1.5nF	150pF

\* my recommended values

